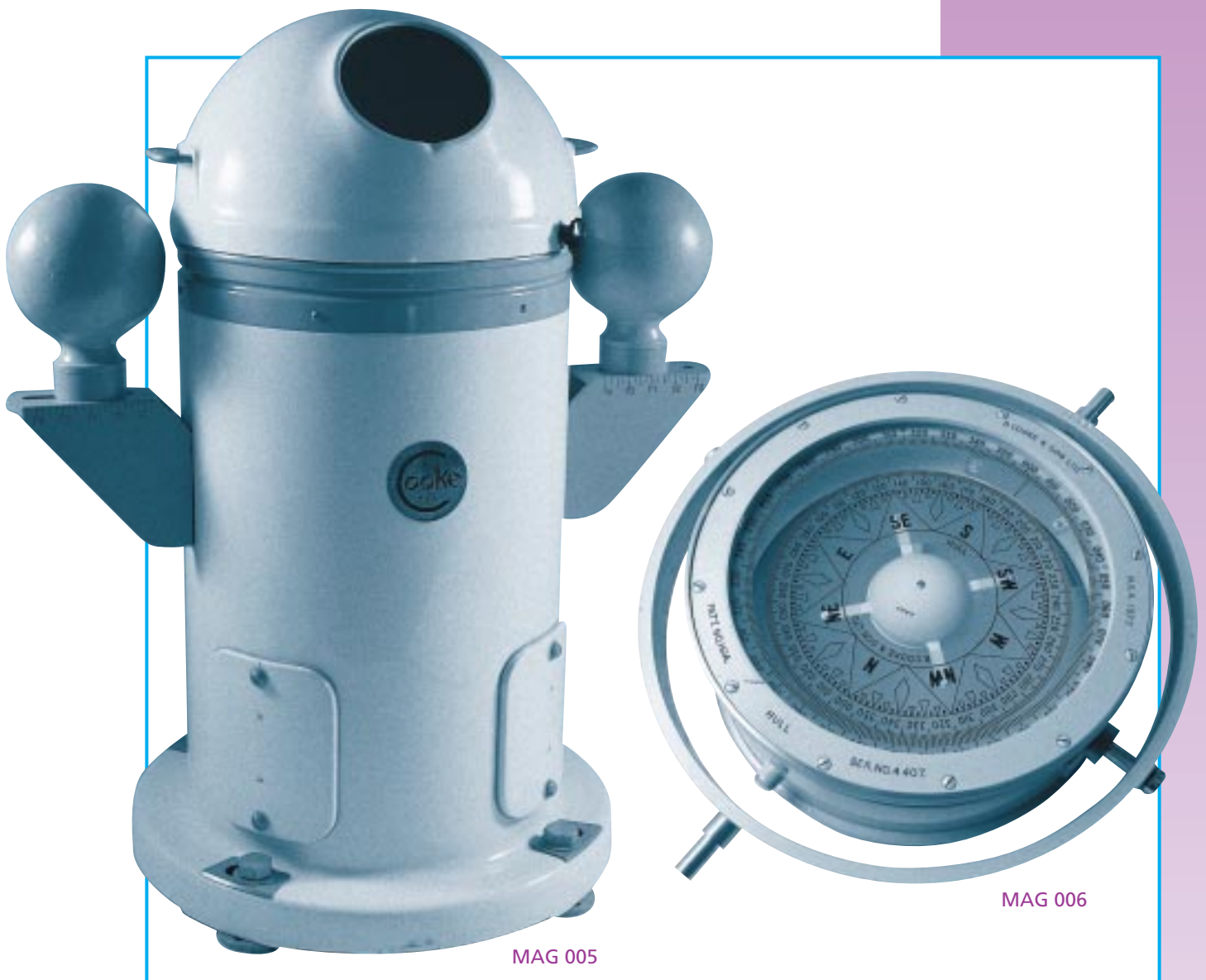




**THOMAS GUNN** navigation services  
SERVING THE SHIPPING INDUSTRY WORLDWIDE

# York Reflector Binnacle

CLASS A2 FOR VESSELS LESS THAN 150 GRT



Type approved by UK  
and other Maritime  
Authorities

**APPLICATION**  
For commercial vessels less than 150GRT  
and fishing vessels between 25 and 45metres.

# York Reflector Binnacle with Type 161A Compass

Laminated glass fibre binnacle in attractive white finish with high density PVC and brass deckhead reflector unit.

## STANDARD EQUIPMENT

TYPE 161A SPIRIT COMPASS with 165 mm Dia. Card 0-360° with 1/4 Pts. Engraved Verge Suspended in Gimbal using Phosphor Bronze Bearings.  
 Diameters:- Bowl 246 mm, Gimbal 304 mm.

**BINNACLE** - Main and Emergency Lighting. Iron Spheres, Heeling Error Cradle and Magnets. Full Set Compensating Magnets. Brass Fixing Bolts and Deck Plates. Angled Mirror for height of eye adjustment. Two cable holes for lighting wiring

## WEIGHT

Binnacle including all compensation devices.  
 Patt. 161A Compass and reflector Unit 38kg.  
 Patt. 161A Compass 12kg.

## OPTIONAL EXTRAS

Electrical Dimmer (Specify Voltage)

Azimuth Mirror Cast Brass Ring pattern with Shadow Pin.  
 In Polished Wood case.

Pelorus 7" diameter dial, folding sight supplied with Port, Starboard and Stowage Brackets.

Spare Compass Pattern 161A with Gimbal in wood Stowage Case.  
 Clinometer

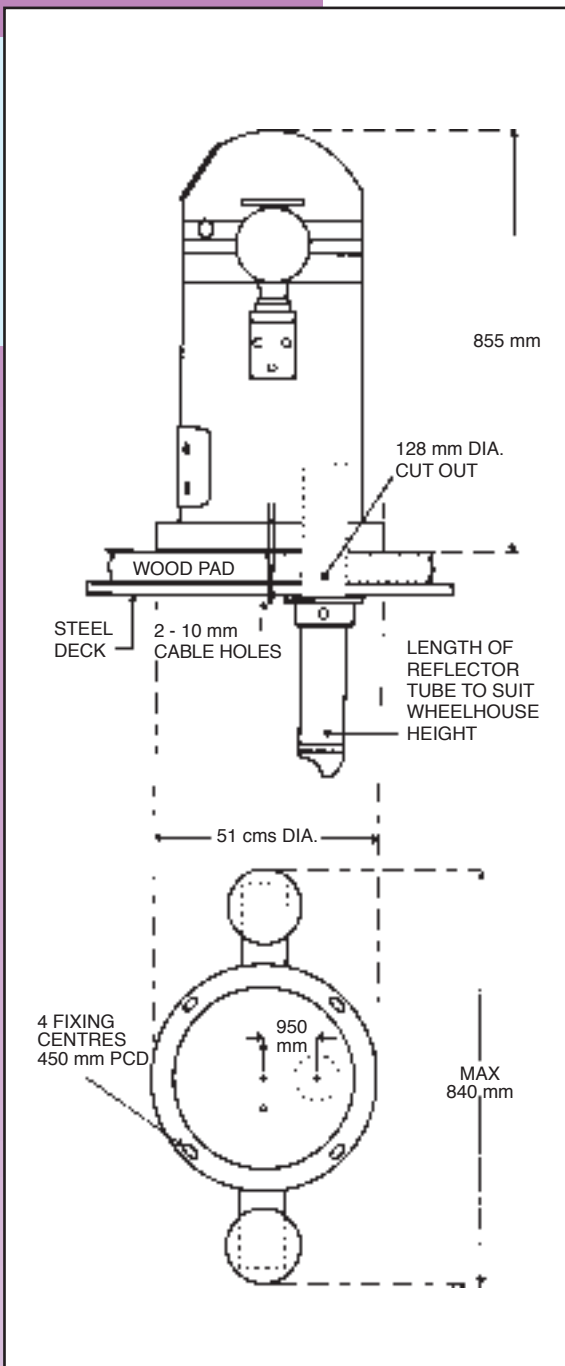
Flinders Bar

Binnacle can be finished in an alternative colour to order.

## ONBOARD SPARES

1 - Glass 1 - Gasket 1 - Pivot 1 - Sapphire

**The York Binnacle can also be supplied without Deckhead Reflector Unit, for Steering or Standard Positions.**



THOMAS GUNN navigation services established in 1978, is a family concern with a long term commitment to Quality Management where satisfying our customers needs is the first priority of all employees. The company is represented in the major marine markets worldwide offering a wide range of products and services including:



Supply to the SOLAS regulated market a comprehensive management service that ensures the maintenance of charts and nautical publications in compliance with the ISM code, thereby aiding safe navigation.

Complete worldwide coverage of British Admiralty Charts & Publications.

Extensive stocks of other Hydrographic Charts & Publications including U.S., N.Z., and Australian, together with full range of Marine Technical Publications.

Computerised new edition service including weekly notices to mariners and chart correction tracings, weekly chart correction lists and compilation of ships indexes.



Supply and updating service for Admiralty raster chart services and vector including approved software systems.



Distribution of wide range of marine lighting including safety lights, navigation lights, searchlights, signalling lights, floodlights and associated products.



Distributor of nautical instruments including anemometers, bells, barometers, binoculars, clinometers, clocks, shapes and sextants.



Distributor and service centre for S.G. Brown gyros and associated products.



Adjusting and repair of Compasses by MCA certified compass adjusters.



Distribution of magnetic compasses and binnacles, TMC systems and off course alarms and a wide range of associated items.



**THOMAS GUNN** navigation services

SERVING THE SHIPPING INDUSTRY WORLDWIDE

THOMAS GUNN NAVIGATION SERVICES LTD.

Anchor House, 62 Regent Quay, Aberdeen AB11 5AR, Scotland, U.K. • Tel: +44 (0) 1224 595045 • Fax: +44 (0) 1224 584702  
 E-mail: tgns@globalnet.co.uk • www.thomasgunn.co.uk