



THOMAS GUNN navigation services

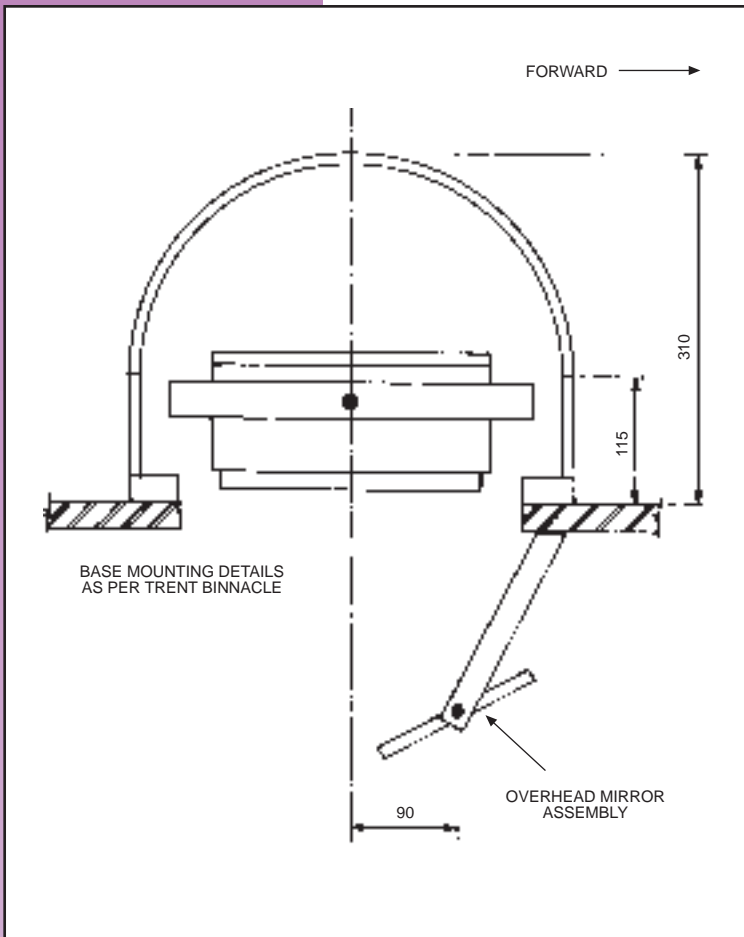
SERVING THE SHIPPING INDUSTRY WORLDWIDE

Trent Binnacle

OVERHEAD BINNACLE FITTED WITH COOKE TYPE 161A COMPASS
FOR SMALLER VESSELS REQUIRING A PROFESSIONAL PERFORMANCE



APPLICATION: Fishing vessels, large yachts and workboats
between 15 & 30 metres in length.



Trent Overhead Binnacle with Mirror

Supplied with main and emergency lighting, can be provided with Deck Mounted Soft Iron Spheres. The mirror is suitable for bulkhead or deckhead mounting.

MATERIAL

BINNACLE-
Brass complete with mounting flange
DOMES -
White Reinforced Glassfibre
MIRROR ASSEMBLY -
Brass Framework

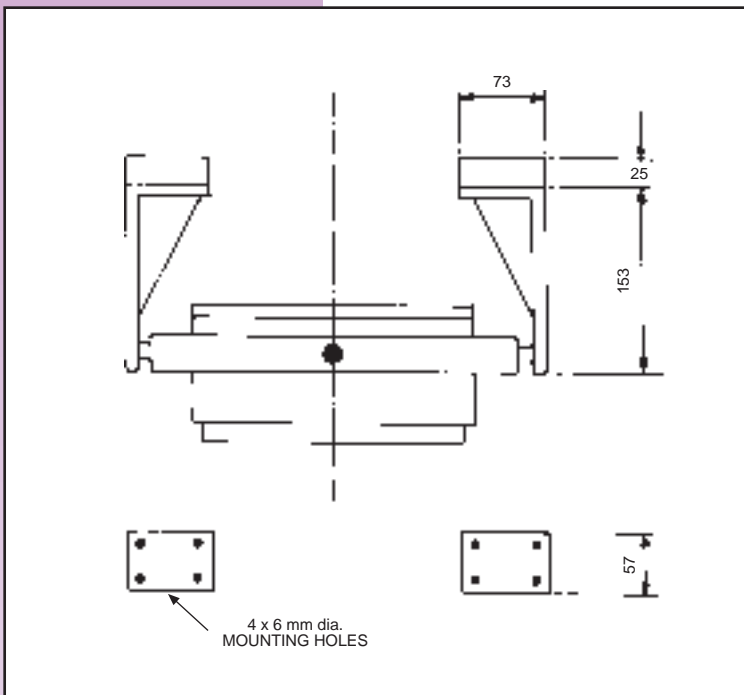
WEIGHT

Overall weight 18 kgs.

COMPASS

Type 161A Magnetic Compass, Class A,
246mm dia. bowl, 65mm dia. card.

Stock No MAG 012



Bracket Compass

The brackets are designed for mounting to the deckhead, bulkhead or upright.

MATERIAL

BRACKETS -
Brass fitted with self-lubricating bearings
MOUNTING BLOCKS -
Hardwood

WEIGHT

Brackets - 2kg
Type 161A compass -10kg

COLOUR

Black with natural hardwood mounting blocks

COMPASS -

For Deckhead Mounting - Type 161A with direct read card

For Bulkhead or Upright Mounting - Type 161A

Stock No MAG 021

Trent Overhead Binnacle with Direct Read

Supplied with main and emergency lighting, can be provided with Deck Mounted Soft Iron Spheres.

MATERIAL

BINNACLE-
Brass complete with mounting flange
DOME -
White Reinforced Glassfibre

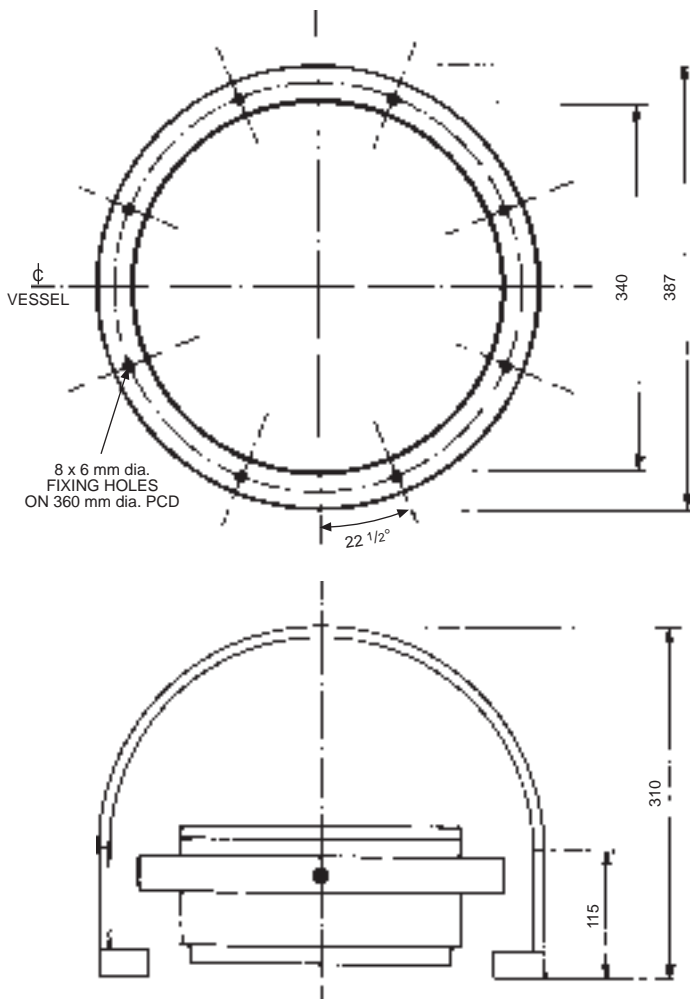
WEIGHT -

Overall weight 16.6 kgs.

COMPASS -

Type 161A Magnetic Compass, Class A,
246mm dia. bowl, 65mm dia. card.

Stock No MAG 010



THOMAS GUNN navigation services established in 1978, is a family concern with a long term commitment to Quality Management where satisfying our customers needs is the first priority of all employees. The company is represented in the major marine markets worldwide offering a wide range of products and services including:



Supply to the SOLAS regulated market a comprehensive management service that ensures the maintenance of charts and nautical publications in compliance with the ISM code, thereby aiding safe navigation.

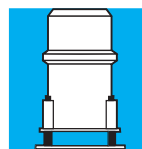
Complete worldwide coverage of British Admiralty Charts & Publications.

Extensive stocks of other Hydrographic Charts & Publications including U.S., N.Z., and Australian, together with full range of Marine Technical Publications.

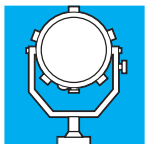
Computerised new edition service including weekly notices to mariners and chart correction tracings, weekly chart correction lists and compilation of ships indexes.



Supply and updating service for Admiralty raster chart services and vector including approved software systems.



Distributor and service centre for S.G. Brown gyros and associated products.



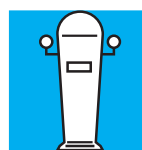
Distribution of wide range of marine lighting including safety lights, navigation lights, searchlights, signalling lights, floodlights and associated products.



Adjusting and repair of Compasses by MCA certified compass adjusters.



Distributor of nautical instruments including anemometers, bells, barometers, binoculars, clinometers, clocks, shapes and sextants.



Distribution of magnetic compasses and binnacles, TMC systems and off course alarms and a wide range of associated items.

