



THOMAS GUNN navigation services

SERVING THE SHIPPING INDUSTRY WORLDWIDE

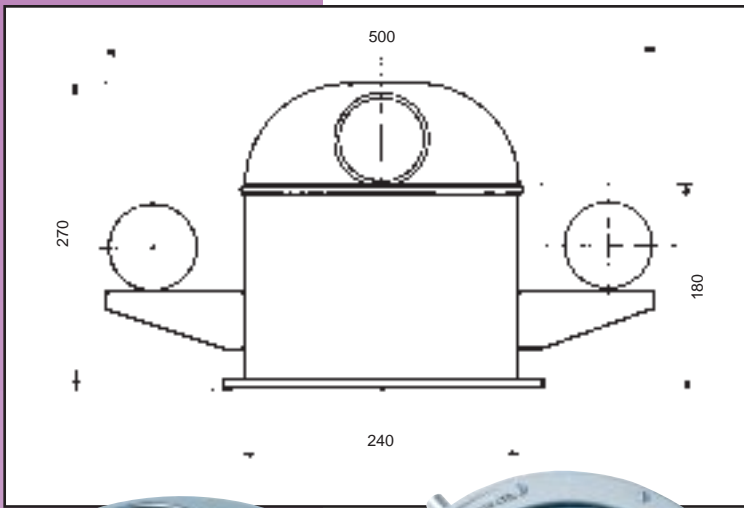
Overhead, Shelf & Bracket Compass

FOR SMALLER CRAFT REQUIRING PROFESSIONAL PERFORMANCE (GROUP 4)



APPLICATION: Fishing vessels and workboats up to 15 metres in length.

Skipton Binnacle and Magnetic Compass



Supplied complete with lighting and correction magnets, may be fitted with soft iron spheres as required.

MATERIAL

BINNACLE - Brass complete with mounting flange - grey paint finish

HELMET - Brass - grey paint finish

Can be supplied in polished brass finish if required.

WEIGHT

Overall weight 7.25 kgs

COMPASS

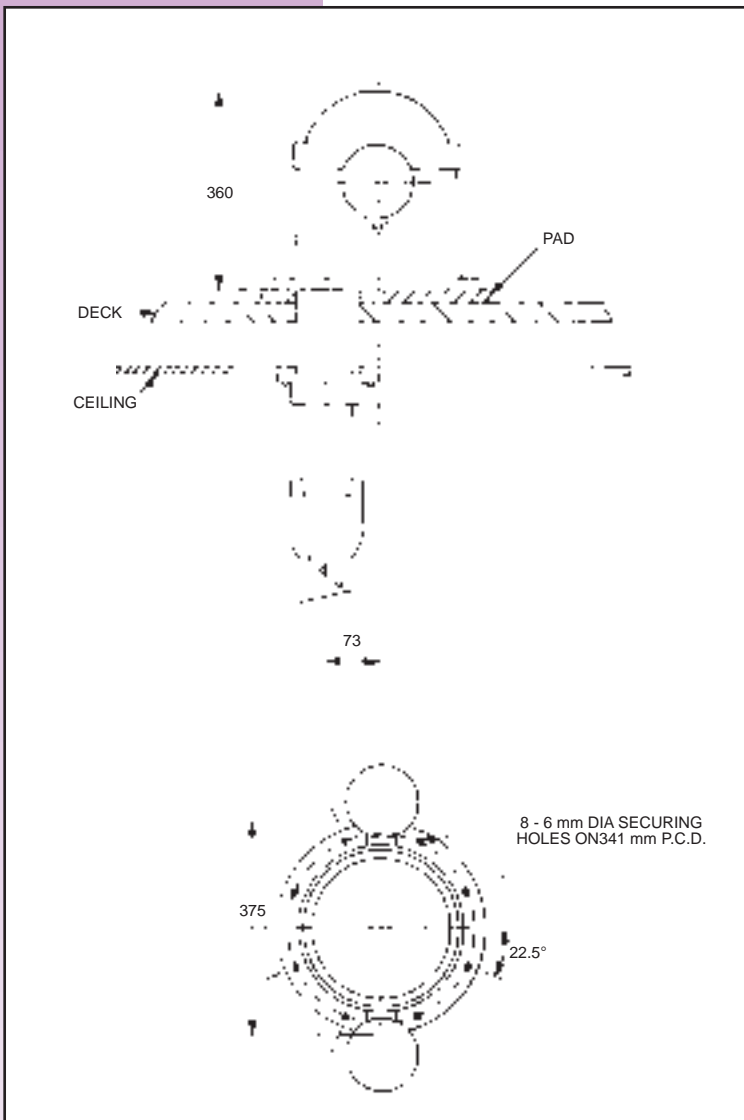
Skipton magnetic compass 125mm dia. card

Stock No MAG 015

SPHERES AND BRACKETS

Stock No MAG 016

Gillie Amble Reflector Binnacle



Supplied with 24v Lighting, can be fitted with Soft Iron Quadrantal Corrector Spheres and Heeling Error Magnets

MATERIAL

BINNACLE/DOME - Reinforced Glassfibre

REFLECTOR TUBE & HEAD - High Density PVC

WEIGHT

Binnacle inc. Reflector assembly - 7kg

Binnacle inc. Reflector Assembly and Correction Devices - 15kg

Sestrel MK5 - 6kg

COLOUR

Grey, Black Reflector Tube and Reflector head.

POWER SUPPLY

24v DC Lighting as standard. Other voltages available.

COMPASS

Sestrel MK5 Compass, 185mm dia Bowl, 133mm dia Card.

Stock No MAG 017

SOFT IRON SPHERES AND BRACKETS

Stock No MAG 011

Gillie Amble Overhead With Mirror

Supplied with 24v Lighting, can be fitted with Soft Iron Quadrantal Corrector Spheres and Heeling Error Magnets. The Mirror Framework is suitable for Bulkhead or Deckhead Mounting.

MATERIAL

BINNACLE/DOME - Reinforced Glassfibre
 MIRROR ASSEMBLY - Brass Framework

WEIGHT

Binnacle - 4kg
 Binnacle with Correction Devices- 12kg
 Sestrel MK5 - 6kg
 Mirror Assembly - 1.5kg

COLOUR

Grey and Grey Framework on Mirror Asembly.

POWER SUPPLY

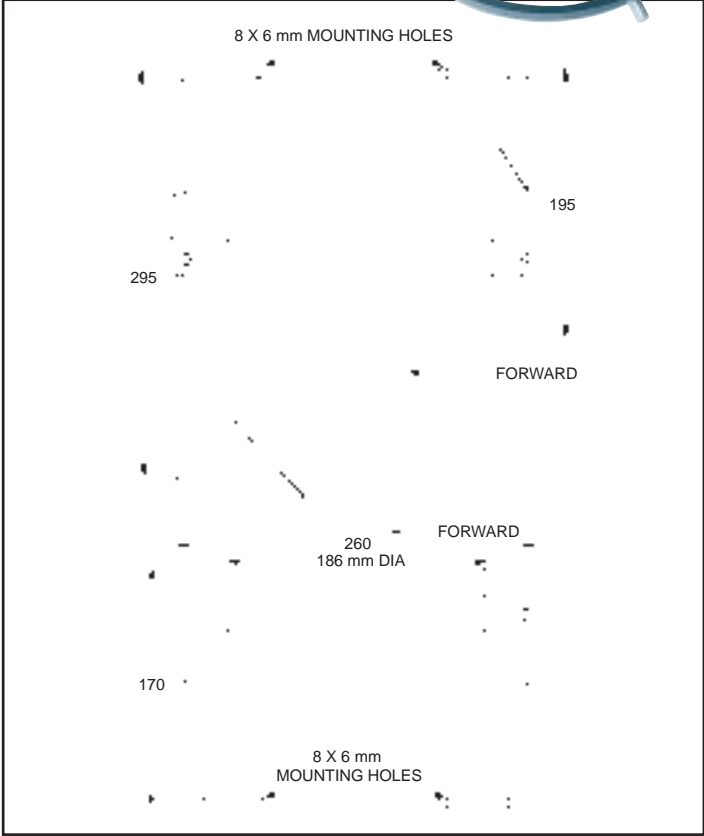
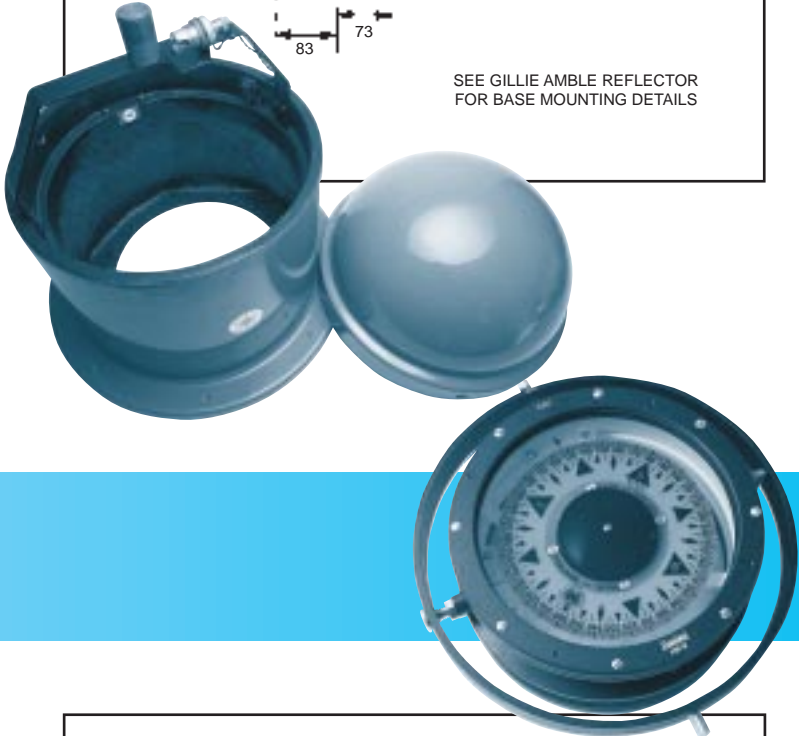
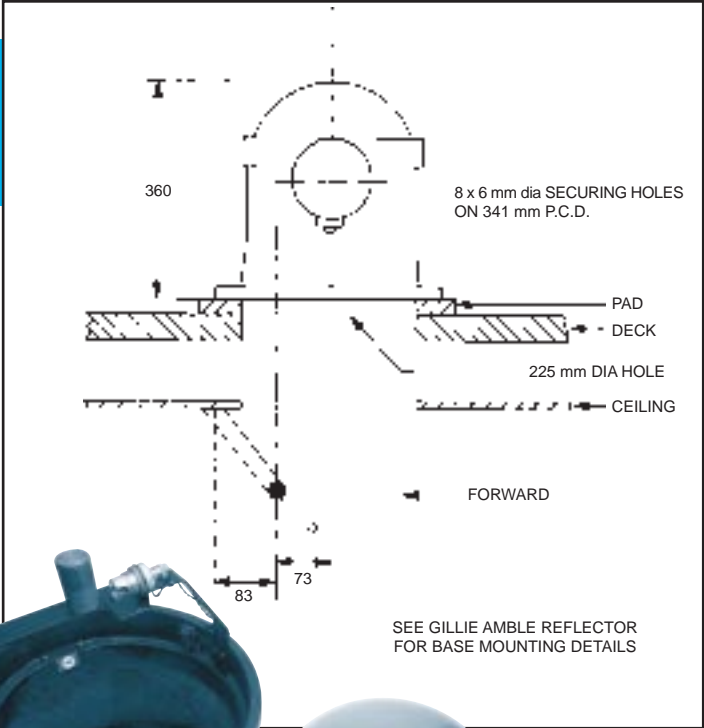
24v DC Lighting as standard. Other voltages available.

COMPASS

Sestrel MK5 Compass, 185mm dia Bowl, 133mm dia Card.
 Stock No MAG 018

COMPASS REFLECTING MIRROR WITH BRACKETS

STOCK No MAG012



Sestrel MK5 Compass

Fitted with a Reflector Card

WEIGHT - 6kg

Stock No MAG 013

Gillie 6" Bracket Compass

The brackets are designed for mounting on the Deckhead, Bulkhead or Upright. If Deckhead mounted a Mirror Assembly, adapted to fit the Brackets, is supplied to read the Reflector Card.

WEIGHT

Brackets - 1.5kg
 Sestrel MK5 Compass - 6kg
 Mirror Assembly - 0.8kg

COLOUR

Black

COMPASS

Sestrel MK5 Compass, 185mm dia Bowl, 133mm dia Card.

THOMAS GUNN navigation services established in 1978, is a family concern with a long term commitment to Quality Management where satisfying our customers needs is the first priority of all employees. The company is represented in the major marine markets worldwide offering a wide range of products and services including:



Supply to the SOLAS regulated market a comprehensive management service that ensures the maintenance of charts and nautical publications in compliance with the ISM code, thereby aiding safe navigation.

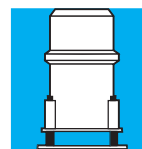
Complete worldwide coverage of British Admiralty Charts & Publications.

Extensive stocks of other Hydrographic Charts & Publications including U.S., N.Z., and Australian, together with full range of Marine Technical Publications.

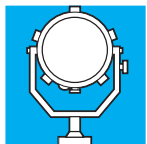
Computerised new edition service including weekly notices to mariners and chart correction tracings, weekly chart correction lists and compilation of ships indexes.



Supply and updating service for Admiralty raster chart services and vector including approved software systems.



Distributor and service centre for S.G. Brown gyros and associated products.



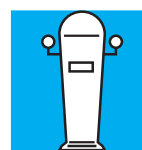
Distribution of wide range of marine lighting including safety lights, navigation lights, searchlights, signalling lights, floodlights and associated products.



Adjusting and repair of Compasses by MCA certified compass adjusters.



Distributor of nautical instruments including anemometers, bells, barometers, binoculars, clinometers, clocks, shapes and sextants.



Distribution of magnetic compasses and binnacles, TMC systems and off course alarms and a wide range of associated items.

