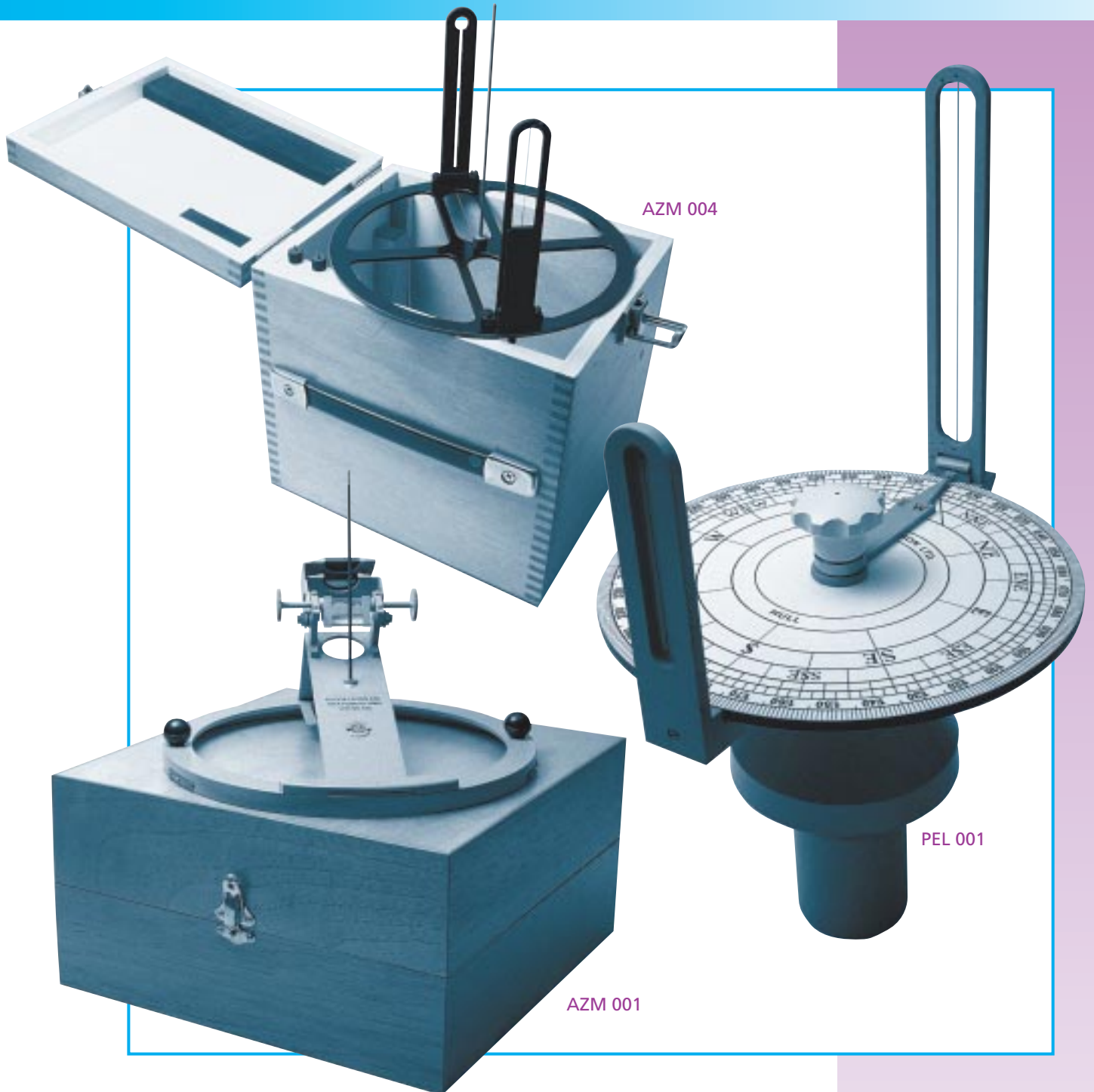
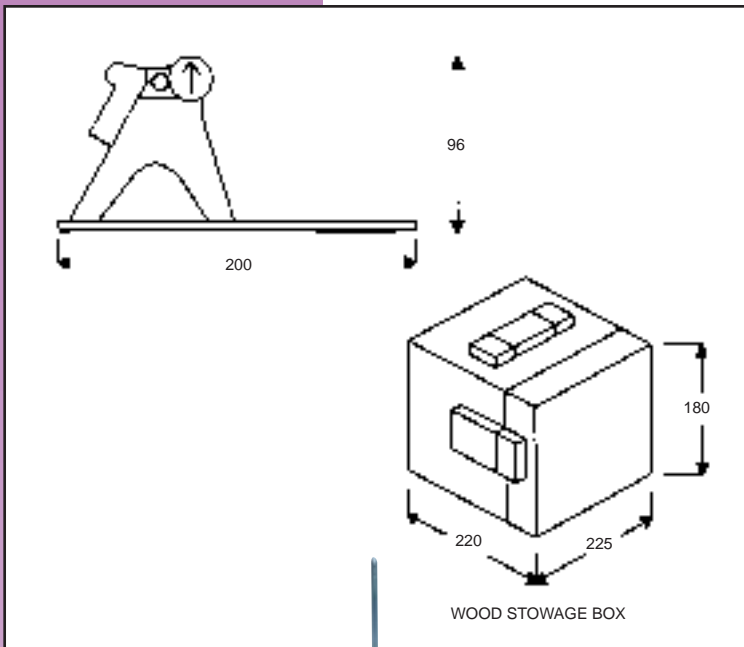




**THOMAS GUNN** navigation services  
SERVING THE SHIPPING INDUSTRY WORLDWIDE

# Magnetic Compass Accessories for the Professional

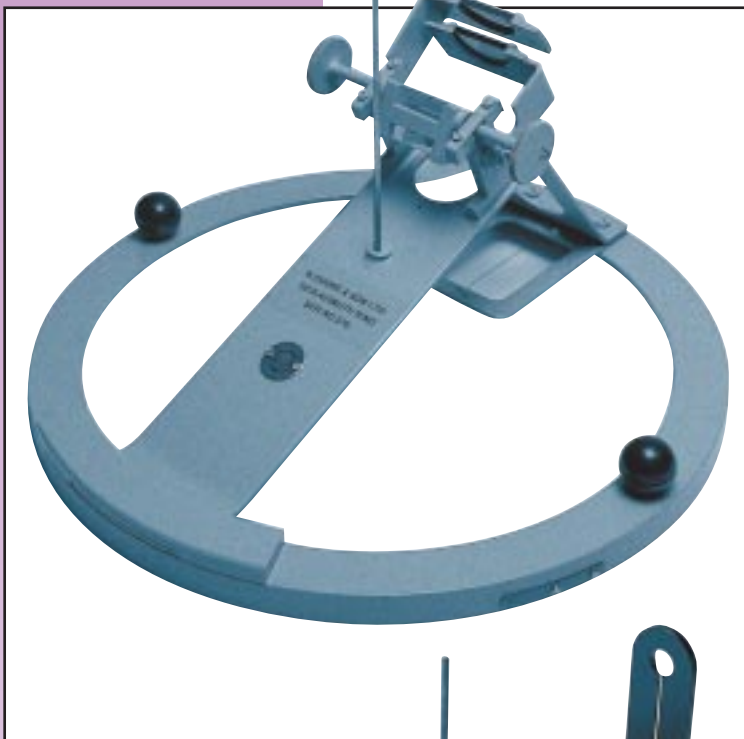




## Gillie Azimuth Mirror, Thompson Type

A quality bearing instrument. The prism and lens arrangement enables accurate celestial and terrestrial bearings to be obtained with ease, even with low magnitude stars. Supplied with 3 shadow pins and a wooden storage box as standard.

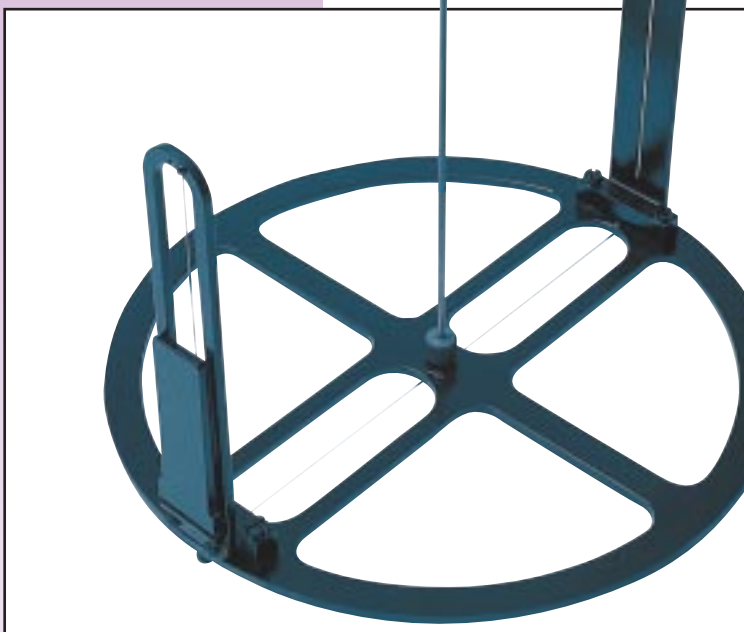
<b>MATERIAL</b>	Brass with hardwood box	
<b>WEIGHT</b>	Azimuth mirror	1kg
	Wooden box	1kg
<b>DIMENSIONS</b>	Wooden box	220 x 225 x 180mm
Stock No AZM 003		



## Cooke Azimuth Mirror

A quality bearing instrument designed to fit Type 161A magnetic compass. The prism and lens arrangement enables accurate celestial and terrestrial bearings to be obtained with ease, even with low magnitude stars. Utilizing phosphor bronze spring stops to ensure close fit and prevent seizing. Supplied with 3 shadow pins and a wooden box as standard.

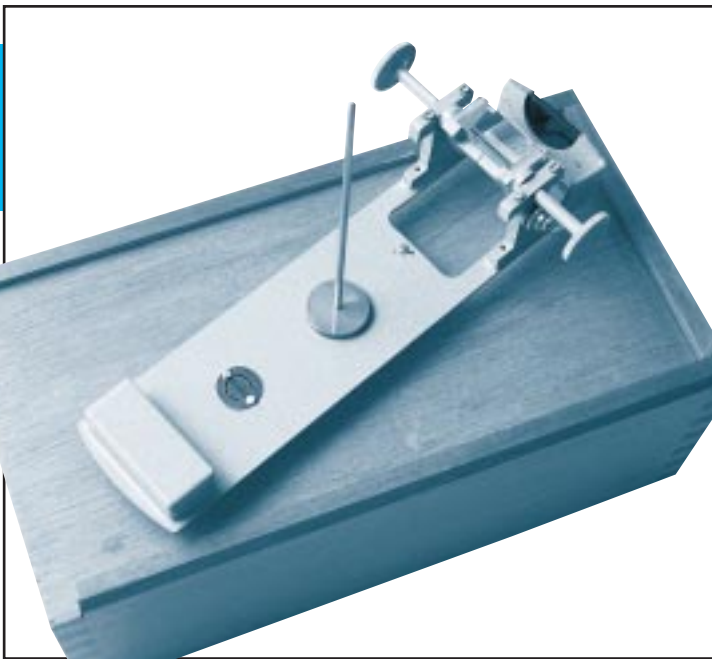
<b>MATERIAL</b>	Brass with hardwood box	
<b>WEIGHT</b>	Azimuth mirror	1.25kg
	Wooden box	1.25kg
<b>DIMENSIONS</b>	Wooden box	290 x 290 x 150mm
Stock No AZM 001		



## Azimuth Ring

A quality bearing instrument suitable for both celestial and terrestrial bearings. Supplied with 3 shadow pins and a wooden box as standard.

<b>MATERIAL</b>	Brass with hardwood box	
<b>WEIGHT</b>	Azimuth circle	0.45kg
	Wooden box	1kg
<b>DIMENSIONS</b>	Wooden box	220 x 225 x 180mm
Stock No AZM 004		

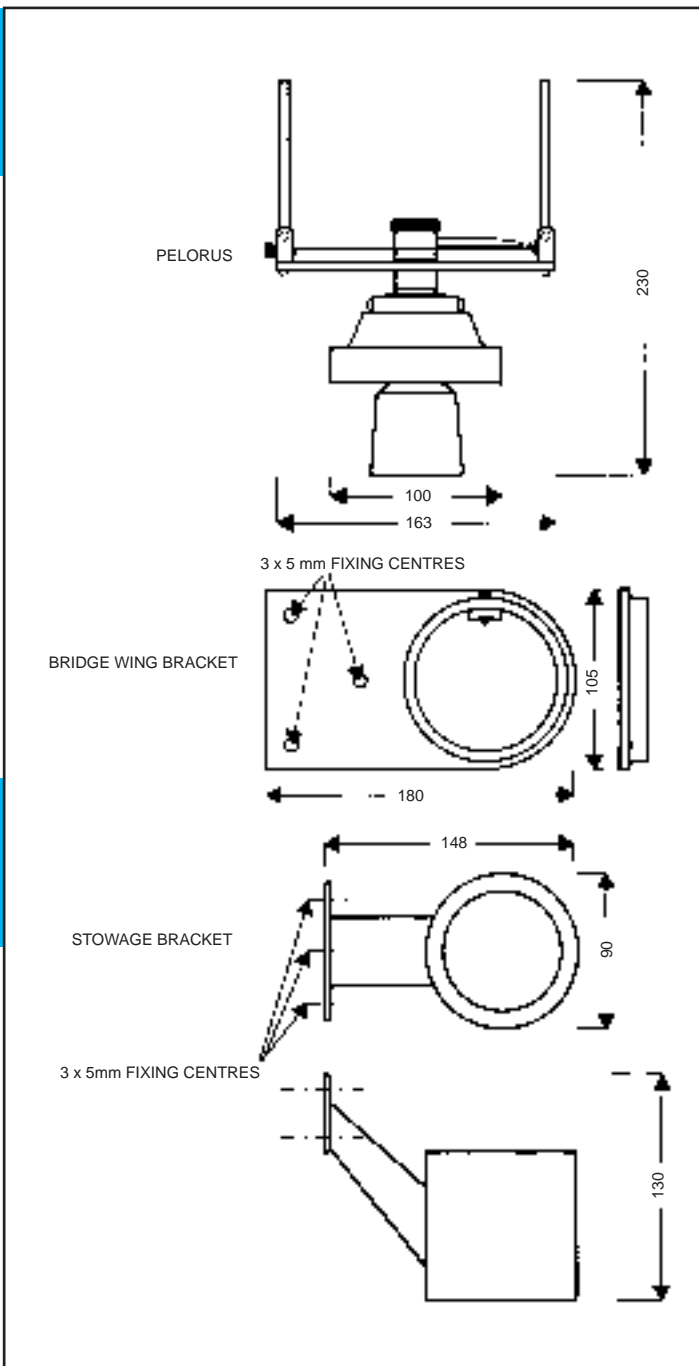


## Short Based Azimuth Ring

A quality bearing instrument designed for use with any make of compass. Fixed to existing compass glass by central pivot supplied. The prism and lens arrangement enables accurate celestial and terrestrial bearings to be obtained with ease, even with low magnitude stars. Utilizing phosphor bronze spring stops to ensure close fit and prevent seizing. Supplied with 3 shadow pins and a wooden box as standard.

<b>MATERIAL</b>	Brass with hardwood box	
<b>WEIGHT</b>	Azimuth mirror	0.5kg
	Wooden box	0.5kg
<b>DIMENSIONS</b>	Wooden box	250 x 140 x 100mm

Stock No AZM 002



## Pelorus

A bearing instrument, for use when reduced height binnacles are fitted, to enable bearings to be taken remotely from ships compass. 7" dia acrylic dial showing white with black markings 0 - 360 degrees. Folding sights, gimballed and with counterpoise weight to take up pitch and roll. Supplied with stowage bracket.

<b>MATERIAL</b>	Brass	
<b>WEIGHT</b>	With Bracket	3kg

Stock No PEL 001



**THOMAS GUNN navigation services** established in 1978, is a family concern with a long term commitment to Quality Management where satisfying our customers needs is the first priority of all employees. The company is represented in the major marine markets worldwide offering a wide range of products and services including:



Supply to the SOLAS regulated market a comprehensive management service that ensures the maintenance of charts and nautical publications in compliance with the ISM code, thereby aiding safe navigation.

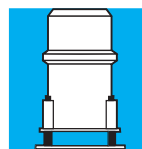
Complete worldwide coverage of British Admiralty Charts & Publications.

Extensive stocks of other Hydrographic Charts & Publications including U.S., N.Z., and Australian, together with full range of Marine Technical Publications.

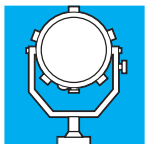
Computerised new edition service including weekly notices to mariners and chart correction tracings, weekly chart correction lists and compilation of ships indexes.



Supply and updating service for Admiralty raster chart services and vector including approved software systems.



Distributor and service centre for S.G. Brown gyros and associated products.



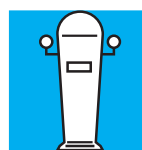
Distribution of wide range of marine lighting including safety lights, navigation lights, searchlights, signalling lights, floodlights and associated products.



Adjusting and repair of Compasses by MCA certified compass adjusters.



Distributor of nautical instruments including anemometers, bells, barometers, binoculars, clinometers, clocks, shapes and sextants.



Distribution of magnetic compasses and binnacles, TMC systems and off course alarms and a wide range of associated items.

