



# Navigation Lights

## COLREG'72



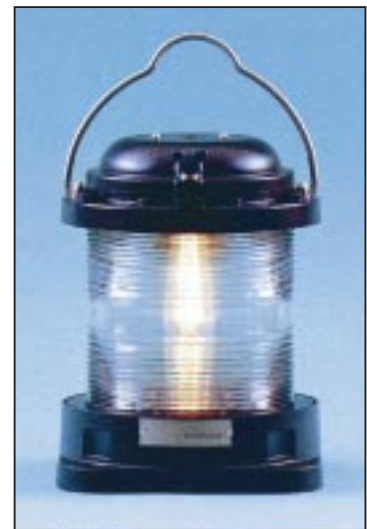
**Navigation Lights DHR 70 For Seagoing Vessels Of 20 Mtrs Or More In Length According To And Complying With International Regulations For Preventing Collisions At Sea (Colreg'72)**



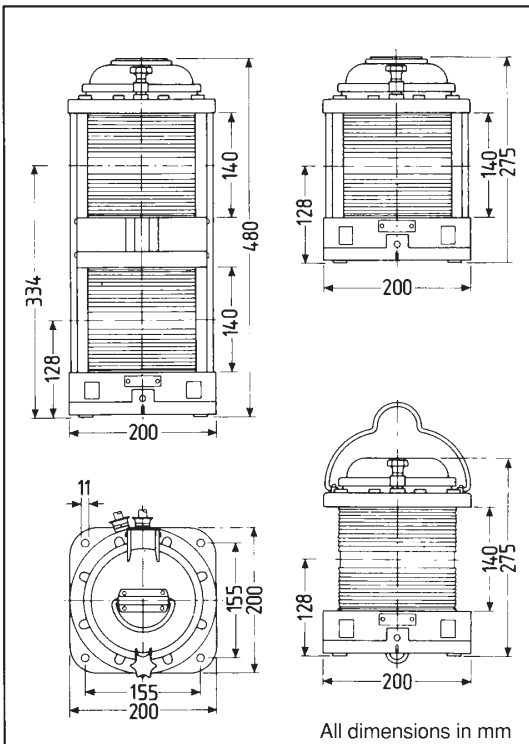
**Double Tier**



**Single Tier**



**Hoistable**



### Technical Data

**Materials:**

Mat black polycarbonate, reinforced with fibre glass Metal parts non-corrosive, seawater resistant, non magnetic

**Optics:**

Fresnel polycarbonate lenses, shock resistant, inter-changeable Protection Class:

**IP56:**

Electrical Installation:  
Wired with neoprene cable 3 x1,5 mm<sup>2</sup>  
Cable gland Pg 13

**Bulbs (normalised):**

220V - 65W - 60cd	Lampholder P28s (Italy B22)
110V - 60W - 60cd	Voltage to be specified when
24V - 40W - 60cd	ordering

**Mounting:**

Base mounting standard for all lights  
Hoistable for single all round lights

**Positioning:**

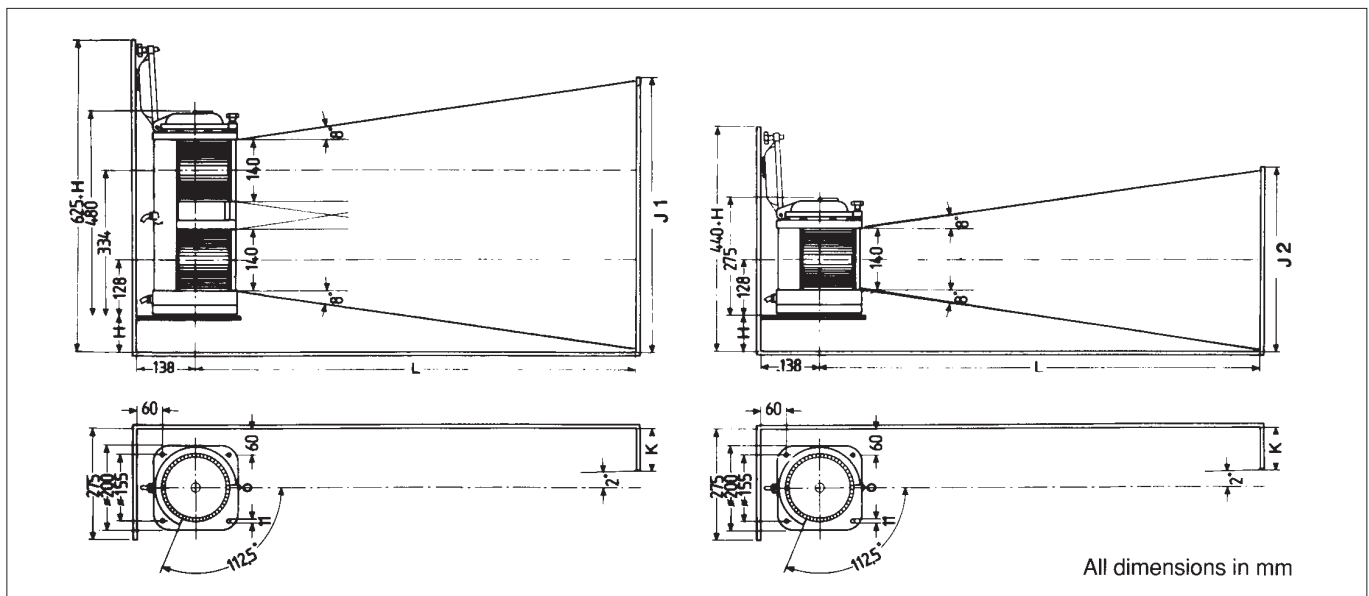
See drawing

**Maintenance:**

All parts are made of non-corrosive materials and do not require any special protective care.  
These parts can be supplied as back-up spares for on board servicing.  
All dimensions in mm

# Navigation Lights

Navigation Lights <b>DHR 70</b> Double Tier					
SECTIONAL	colour	order no.	horiz. Sector	visibility	kg
Starboard	green	SB21	112,5°	3n.m.	5,1
Port	red	BB22	112,5°	3n.m.	5,1
Masthead	white	T23	225°	6 n.m.	4,7
Stern	white	H24	135°	3n.m.	5,0
Towing	yellow	SL25	135°	3n.m.	5,0
ALL ROUND	colour	order no.	horiz. Sector	visibility	kg
White	white	RWT26	360°	3n.m.	4,1
Red	red	RRD27	360°	3n.m.	4,1
Green	green	RGR28	360°	3n.m.	4,1
Green/Red	green/red	RGR18/RRD17	360°	3n.m.	4,1
Red/Green	red/green	RRD17/RGR18	360°	3n.m.	4,1
Navigation Lights <b>DHR 70</b> Double Tier					
SECTIONAL	colour	order no.	horiz. Sector	visibility	kg
Starboard	green	SB11	112,5°	3n.m.	2,9
Port	red	BB12	112,5°	3n.m.	2,9
Masthead	white	T13	225°	6n.m.	2,8
Stern	white	H14	135°	3n.m.	2,8
Towing	yellow	SL15	135°	3n.m.	2,8
Elbe	white	H14E	135°	3n.m.	2,8
Suez	red	H14R	135°	3n.m.	2,8
ALL ROUND	colour	order no.	horiz. Sector	visibility	kg
White	white	RWT16	360°	3n.m.	2,5
Red	red	RRD17	360°	3n.m.	2,5
Green	green	RGR18	360°	3n.m.	2,5
Yellow	yellow	RGL19	360°	3n.m.	2,5
Manoeuvring	white	RVT16M	360°	5n.m.	2,5
ALL ROUND HOISTABLE	colour	order no.	horiz. Sector	visibility	kg
White	white	RWT16H	360°	3n.m.	2,6
Red	red	RRD17H	360°	3n.m.	2,6
Green	green	RGR18H	360°	3n.m.	2,6

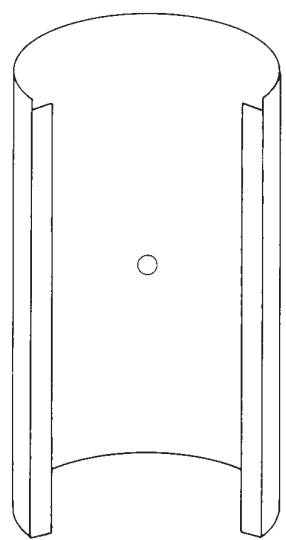
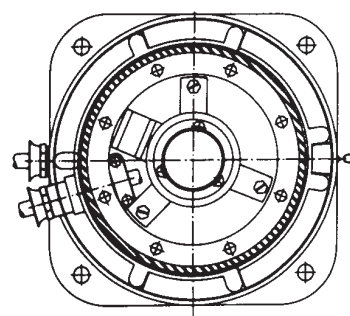
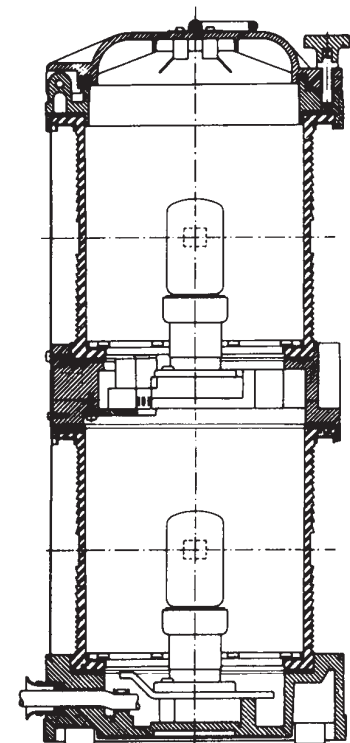
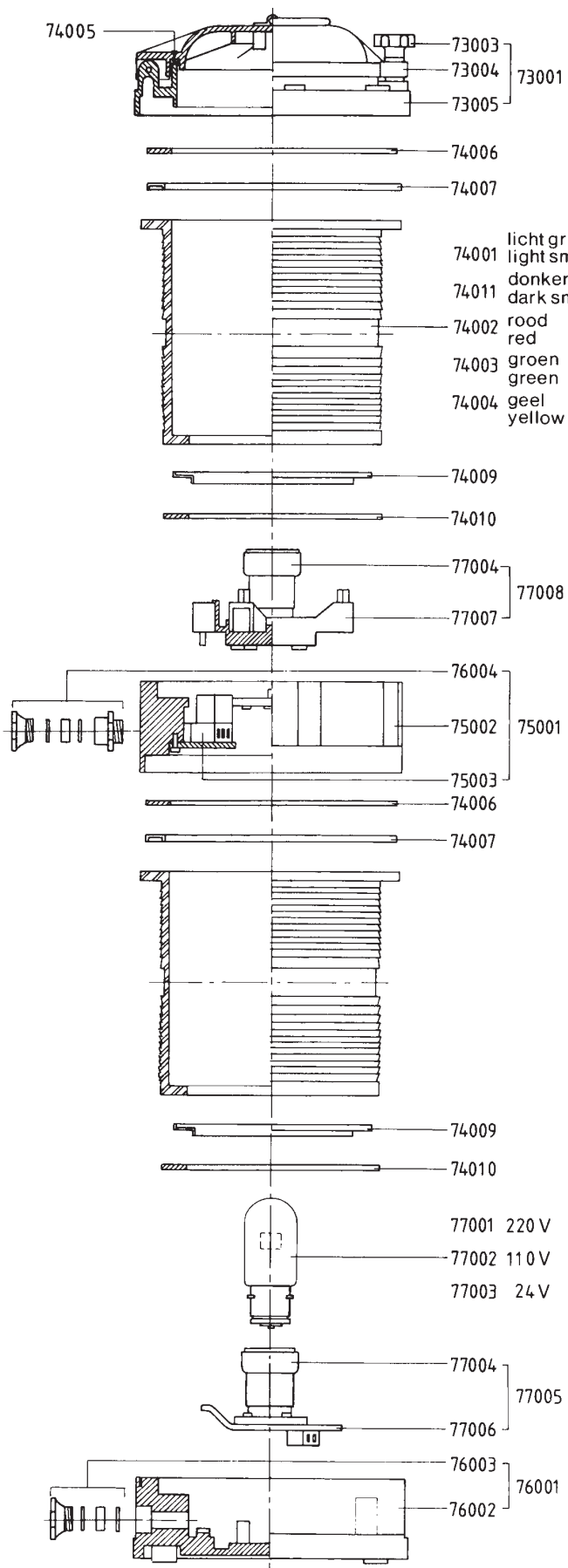


L	H	K	J1	J2
460	0	122	470	270
500	6	12	480	280
600	20	118	510	310
700	34	113	540	340
800	48	109	565	365
910	63	105	600	400

POSITIONING OF SIDE LIGHTS <b>DHR 70</b>			
1	STARBOARD LIGHT	SB 21	DOUBLE TIER
2	STARBOARD LIGHT	SB 11	SINGLE TIER
3	INBOARD SCREEN		INSIDE MAT BLACK

# Spare Parts Double Tier

**DHR 70**



- 79003 SB 21
- 79004 BB 22
- 79005 T 23
- 79006 H 24
- 79006 SL 25

# Spare Parts Single Tier

**DHR 70**

74005

73003  
73004  
73005 } 73001

74006

74007

74001 licht grijs  
light smoky  
74011 donker grijs  
dark smoky  
74002 rood  
red  
74003 groen  
green  
74004 geel  
yellow

74009

74010

77001 220 V  
77002 110 V  
77003 24 V

77004 } 77005  
77006

76003 } 76001  
76002

79007 SB11  
79007 BB12  
79008 T13  
79009 H14  
79009 SL15

39 max  
b  
4,4 ±1  
108 max

P28s DIN 49 841-B110-60					
V	W	cd	b	l	Kmin.
24	40	60	0,72	13,5 ±1,35	2360°
110	60				
220	65		15	11,5 ±0,15	



**THOMAS GUNN** navigation services

SERVING THE SHIPPING INDUSTRY WORLDWIDE