

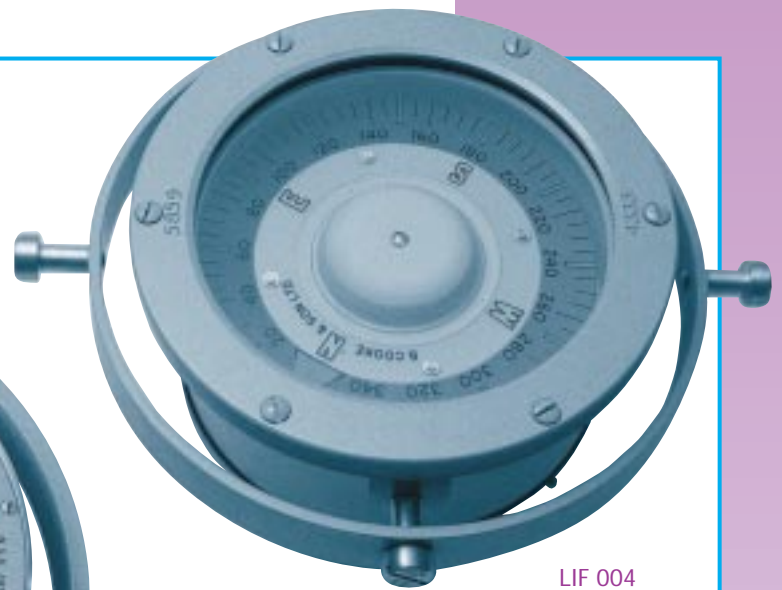


THOMAS GUNN navigation services
SERVING THE SHIPPING INDUSTRY WORLDWIDE

Compasses for the Professionals



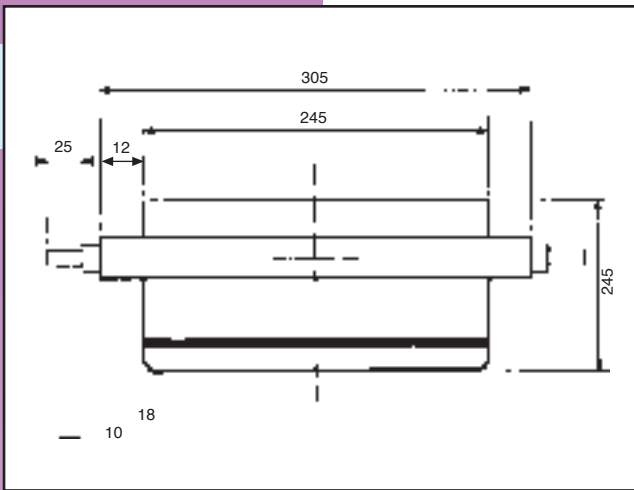
MAG 006



LIF 004



MAG 015



Type 161A Magnetic Compass

6.1/2" (165mm) dia. Card. 0 - 360 degrees with 1/4 points
Engraved Verge.

Suspended in gimbal using Phosphor Bronze Bearings.

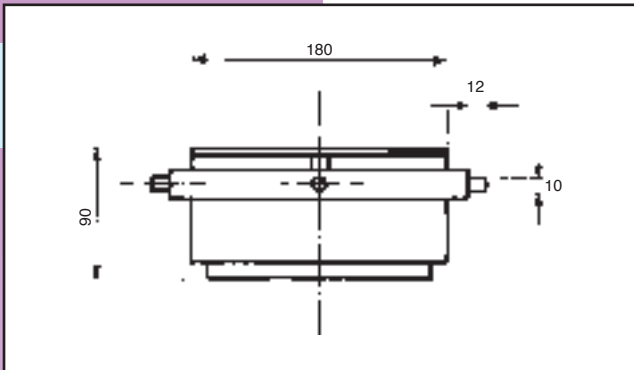
Diameter of Gimbal 12" (304mm)

Diameter of Bowl 9.5/8" (246mm)

Conforming to UK Board of Trade Notice, ISO 2269 and holding British Admiralty Type approval Certificate No 12888.

Stock No MAG 006

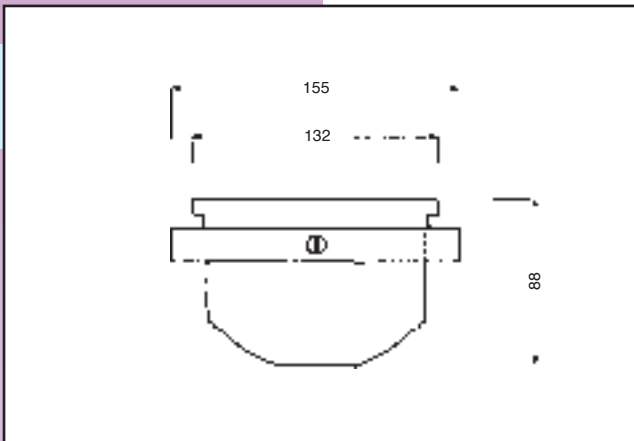
Suitable for uses as a transmitting compass to power Auto-Pilots, Repeaters, Off Course Alarms etc.



Skipton Magnetic Compass

5" (125mm) dia Card graduated in quarter points and degrees.
Suspended in gimbal using Phosphor Bronze Bearings.

Stock No MAG 015



Lifeboat Compass

127mm bowl fitted with a 100mm dia. card, fully gimballed with brylilit illumination.

APPROVAL U.K. Merchant Shipping (Life Saving Appliance) Regulations 1986 Schedule 7 Part V. Lifeboat and Rescue Boat Compasses when fitted in appropriate binnacle.

WEIGHT 1.8kg

Stock No LIF 004

THOMAS GUNN navigation services established in 1978, is a family concern with a long term commitment to Quality Management where satisfying our customers needs is the first priority of all employees. The company is represented in the major marine markets worldwide offering a wide range of products and services including:



Supply to the SOLAS regulated market a comprehensive management service that ensures the maintenance of charts and nautical publications in compliance with the ISM code, thereby aiding safe navigation.

Complete worldwide coverage of British Admiralty Charts & Publications.

Extensive stocks of other Hydrographic Charts & Publications including U.S., N.Z., and Australian, together with full range of Marine Technical Publications.

Computerised new edition service including weekly notices to mariners and chart correction tracings, weekly chart correction lists and compilation of ships indexes.



Supply and updating service for Admiralty raster chart services and vector including approved software systems.



Distribution of wide range of marine lighting including safety lights, navigation lights, searchlights, signalling lights, floodlights and associated products.



Distributor of nautical instruments including anemometers, bells, barometers, binoculars, clinometers, clocks, sextants and associated products.



Distributor and service centre for S.G. Brown gyros and associated products.



Adjusting and repair of Compasses by MCA certified compass adjusters.



Distribution of magnetic compasses and binnacles, TMC systems and off course alarms and a wide range of associated items.



THOMAS GUNN navigation services

SERVING THE SHIPPING INDUSTRY WORLDWIDE

THOMAS GUNN NAVIGATION SERVICES LTD.

Anchor House, 62 Regent Quay, Aberdeen AB11 5AR, Scotland, U.K. • Tel: +44 (0) 1224 595045 • Fax: +44 (0) 1224 584702
E-mail: tgns@globalnet.co.uk • www.thomasgunn.co.uk