



**THOMAS GUNN** navigation services  
SERVING THE SHIPPING INDUSTRY WORLDWIDE

# Compasses for Smaller vessels



LIF 001



LIF 005



C5489

# Compasses for

## Sestrel Major Compass

High quality internally gimballed compass, available as either binnacle or well fit version, 5 degree card and supplied with B, C & H correctors.

Quadrantal correctors can be supplied to fit binnacle versions.

Apparant card dia. 6" (150mm)

Black or White finish

Illumination Voltage 12 or 24 volt

Stock No C5486

Binnacle, Sail, White

Stock No C5487

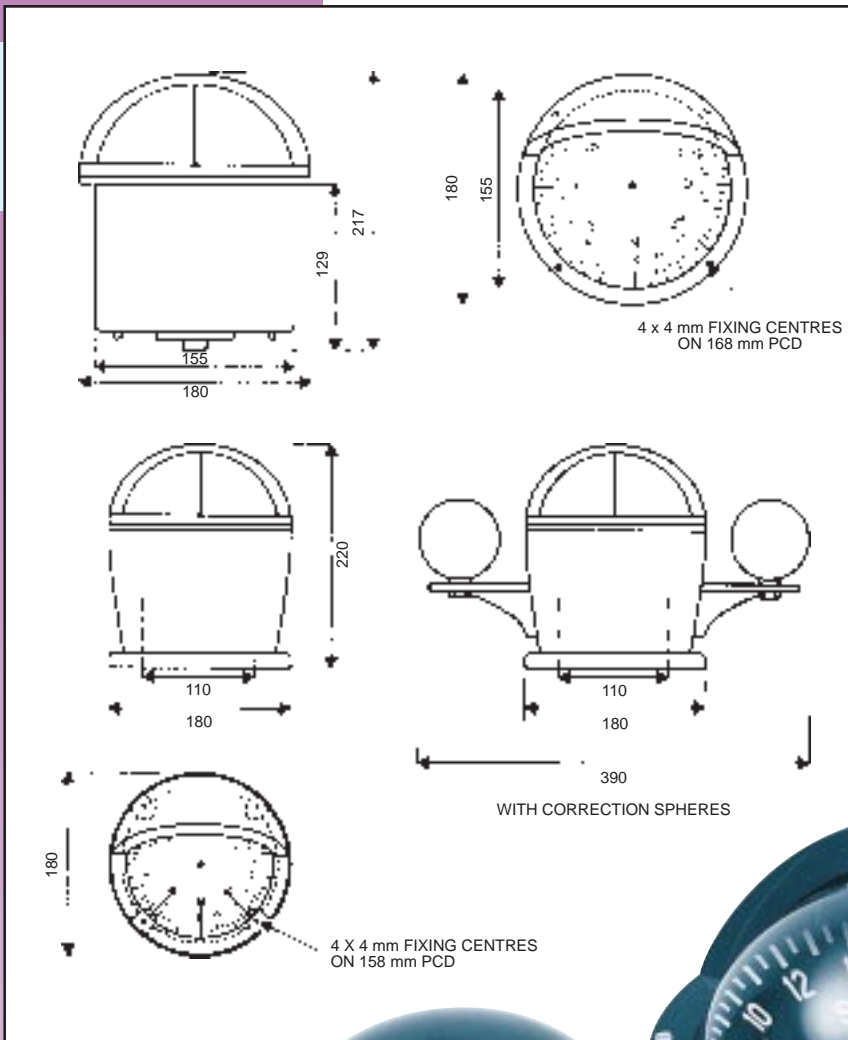
Binnacle, Sail, Black

Stock No C5488

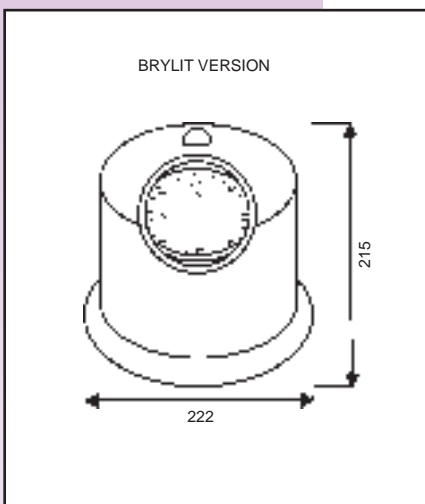
Binnacle, Speed, Black

Stock No C5489

Well Fit, Speed, Black



C5486



## Lifeboat Compass

4" (100mm) dia card, 5 degree, fully gimballed. NATO listed, UK approved.

Available with Brylit or oil lamp illumination if required.

(oil lamp version not accepted on UK vessels)

### TYPE APPROVAL

UK Merchant Shipping (Life Saving Appliances) Regulations 1986 Schedule 7 Part V. Lifeboat and Rescue Boat Compasses when fitted in appropriate Binnacle.

Stock No LIF 001

Brylit

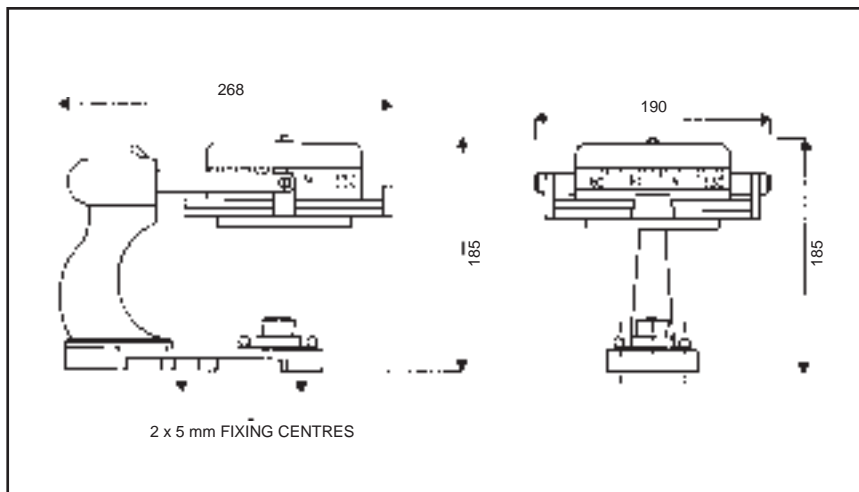
Stock No LIF 002

Oil Lamp

Stock No LIF 005

Silva 100lb

# Smaller Vessels

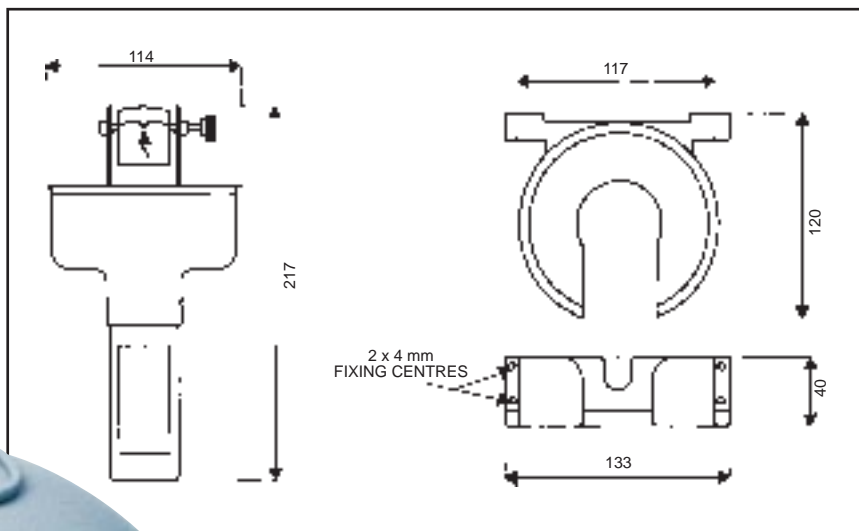


## Sestrel Moore

A versatile reliable compass, externally gimballed, suitable for mounting on table, bulkhead or ceiling, 5 degree card. Supplied with B, H and C correctors and removable metal hood. Quadrantal correctors can also be supplied

Card dia 4" (100mm)  
Illumination voltage 12 or 24 volt

Stock No C5490

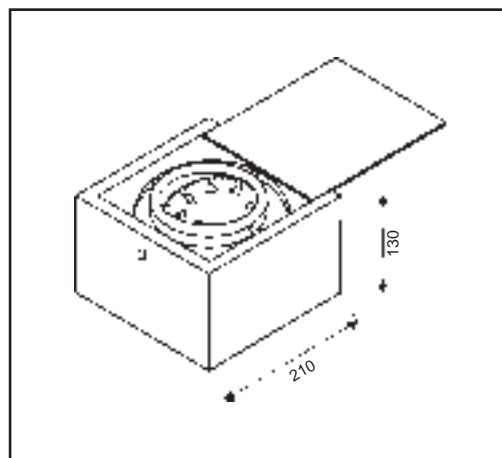


## Sestrel Radiant

A Quality handbearing compass with easy to read 2 degree card. Adjustable top prism. Supplied with rubber, bulkhead mounting stowage bracket.

Stock No C5496  
Grey version with Brylit Illumination

Stock No C5497  
White version supplied with LED Illumination



## Crouch Box Compass

4" (100mm) dia, 5 degree card, fully gimballed, Brylit Illumination in polished wooden box.

Stock No LIF 003

**THOMAS GUNN navigation services** established in 1978, is a family concern with a long term commitment to Quality Management where satisfying our customers needs is the first priority of all employees. The company is represented in the major marine markets worldwide offering a wide range of products and services including:



Supply to the SOLAS regulated market a comprehensive management service that ensures the maintenance of charts and nautical publications in compliance with the ISM code, thereby aiding safe navigation.

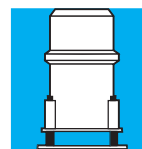
Complete worldwide coverage of British Admiralty Charts & Publications.

Extensive stocks of other Hydrographic Charts & Publications including U.S., N.Z., and Australian, together with full range of Marine Technical Publications.

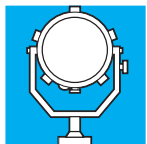
Computerised new edition service including weekly notices to mariners and chart correction tracings, weekly chart correction lists and compilation of ships indexes.



Supply and updating service for Admiralty raster chart services and vector including approved software systems.



Distributor and service centre for S.G. Brown gyros and associated products.



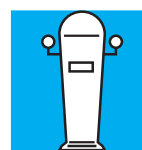
Distribution of wide range of marine lighting including safety lights, navigation lights, searchlights, signalling lights, floodlights and associated products.



Adjusting and repair of Compasses by MCA certified compass adjusters.



Distributor of nautical instruments including anemometers, bells, barometers, binoculars, clinometers, clocks, shapes and sextants.



Distribution of magnetic compasses and binnacles, TMC systems and off course alarms and a wide range of associated items.

