



Clinometers for the Professional Navigator



CLI 004



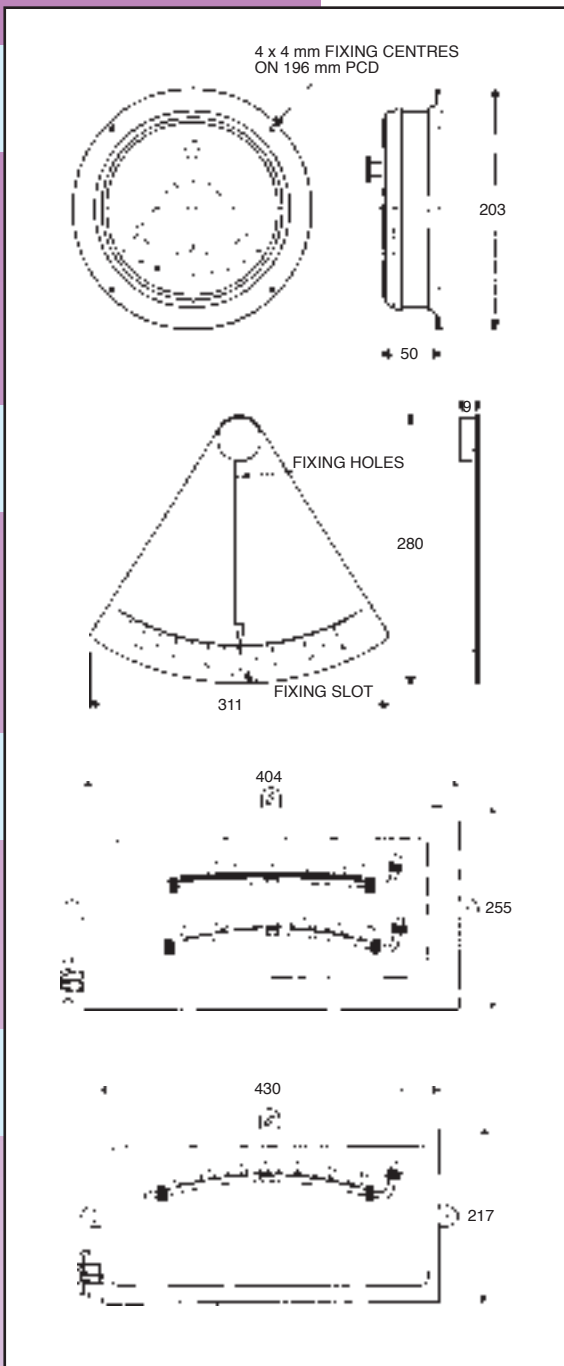
CLI 008



CLI 005



CLI 002



Pendulum Clinometer, Clock Type

Marine quality brass case, pendulum Operation with Maximum Heel indication, 150 mm (6") dia. dial, Bulkhead mounting, Scale 45 - 0 - 45 degrees.

Stock No CLI 002

Clinometer, Bubble Type

Marine quality brass case, 150 mm (6") dia. dial, Bulkhead mounting, Scale 45 - 0 - 45 degrees.

Stock No CLI 004

Engine Room Clinometer

All brass case construction, Scale 35 - 0 - 35 degrees.

Stock No CLI 005

Bubble Clinometer

Glass tube with scale, mounted on a wooden board and fitted with an adjuster to assist simple, accurate installation. Supplied with calibration certificate traceable to NAMAS.

Stock No CLI 008 Scale 5 - 0 - 5 & 15 - 0 - 5 degrees
 Stock No CLI 007 Scale 15 - 0 - 15 degrees
 Stock No CLI 006 Scale 5 - 0 - 5 degrees

THOMAS GUNN navigation services established in 1978, is a family concern with a long term commitment to Quality Management where satisfying our customers needs is the first priority of all employees. The company is represented in the major marine markets worldwide offering a wide range of products and services including:



Supply to the SOLAS regulated market a comprehensive management service that ensures the maintenance of charts and nautical publications in compliance with the ISM code, thereby aiding safe navigation.

Complete worldwide coverage of British Admiralty Charts & Publications.

Extensive stocks of other Hydrographic Charts & Publications including U.S., N.Z., and Australian, together with full range of Marine Technical Publications.

Computerised new edition service including weekly notices to mariners and chart correction tracings, weekly chart correction lists and compilation of ships indexes.



Supply and updating service for Admiralty raster chart services and vector including approved software systems.



Distribution of wide range of marine lighting including safety lights, navigation lights, searchlights, signalling lights, floodlights and associated products.



Distributor of nautical instruments including anemometers, bells, barometers, binoculars, clinometers, clocks, shapes and sextants.



Distributor and service centre for S.G. Brown gyros and associated products.



Adjusting and repair of Compasses by MCA certified compass adjusters.



Distribution of magnetic compasses and binnacles, TMC systems and off course alarms and a wide range of associated items.



THOMAS GUNN navigation services

SERVING THE SHIPPING INDUSTRY WORLDWIDE

THOMAS GUNN NAVIGATION SERVICES LTD.

Anchor House, 62 Regent Quay, Aberdeen AB11 5AR, Scotland, U.K. • Tel: +44 (0) 1224 595045 • Fax: +44 (0) 1224 584702
 E-mail: tgns@globalnet.co.uk • www.thomasgunn.co.uk